



Chevrolet® Logo Update for Wall Mounting

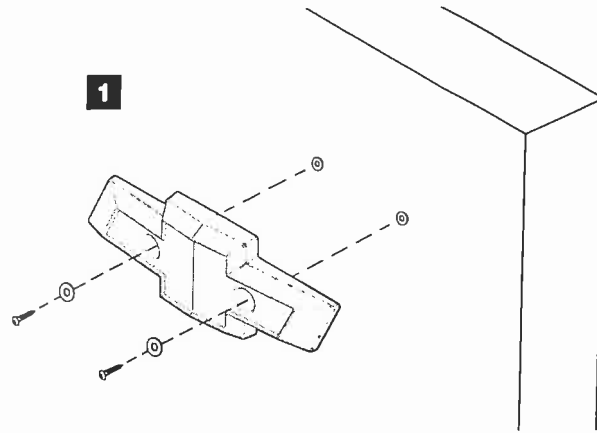
Assembly Instructions

Tools Required:

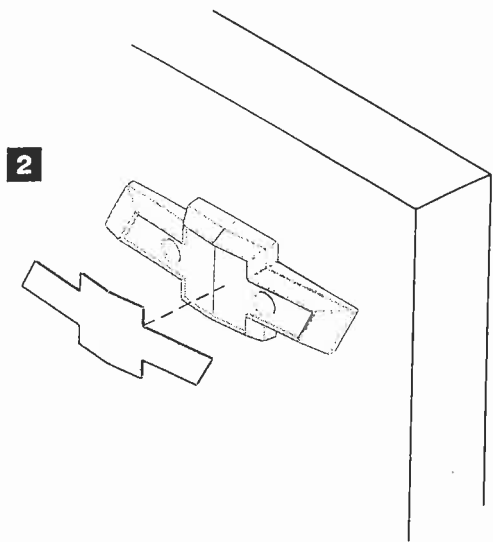
Phillips Screwdriver
Drill and Drill Bits

Parts List:

- (1) Chrome Logo
- (1) Gold Graphic Panel
- (2) #10 Phillips Head Screws
- (2) #10 Washers
- (2) #10 Plastic Wall Anchors



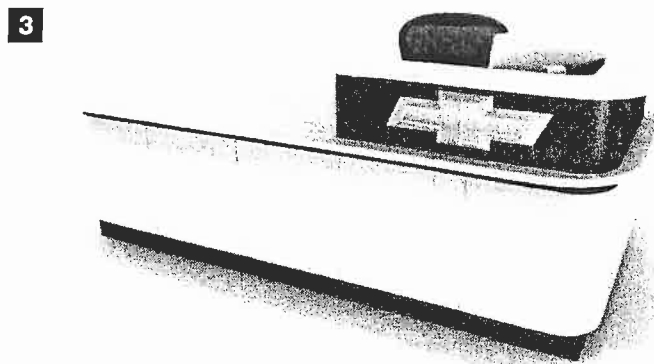
1. Hold logo up on the wall and mark (2) hole locations, making sure logo is level.
2. If mounting to a hollow or concrete wall, drill (2) holes and install plastic wall anchors.
3. Attach logo using screws and washers provided (see figure 1).
4. Peel off protective liner from back of gold graphic panel to reveal pressure-sensitive adhesive.
5. Attach gold graphic panel to main logo (see figure 2).
6. Clean new logo using only a damp soft cloth. To avoid scratches do not use paper towel or tissue.



Optional Desk Mounting:

Logo should be installed on the front of the reception desk as shown ONLY when desk is purchased WITHOUT a back wall cabinet (see figure 3).

See steps above and omit plastic wall anchors.



Call DCI Marketing at 800-766-5660 with any questions.